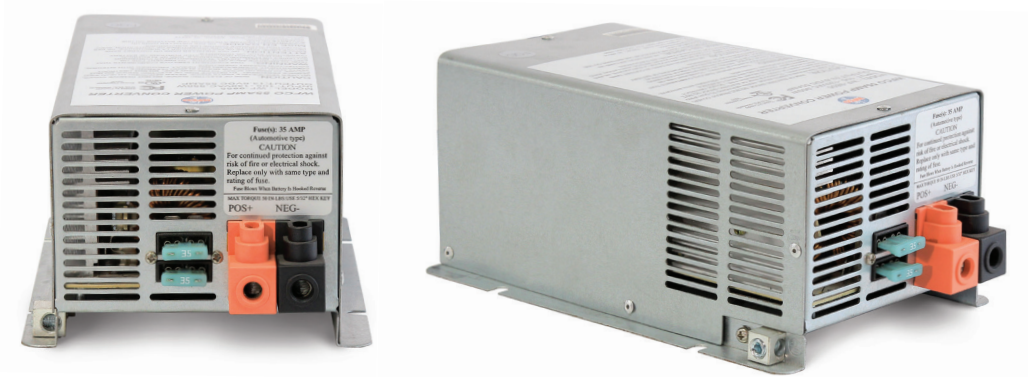


WF-9800 Series

35/45/55/65/75 Amp Deck Mount Converter Charger



THE HEARTBEAT OF TODAY'S RVs



Model WF-9835

Output: 35 Amps DC
Input: 105-130 VAC,
60 Hz, 600W

Model WF-9845

Output: 45 Amps DC
Input: 105-130 VAC,
60 Hz, 780W

Model WF-9855

Output: 55 Amps DC
Input: 105-130 VAC,
60 Hz, 950W

Model WF-9865

Output: 65 Amps DC
Input: 105-130 VAC,
60 Hz, 1260W

Model WF-9875

Output: 75 Amps DC
Input: 105-130 VAC,
60 Hz, 1300W

Power Choices that fit - everywhere.

The WF-9800 Series meets your needs for clean DC power ranging from 35 to 75 Amps. With versatility like this, it's ideal for use in a wide array of recreational vehicles.

Built on 40 years of power equipment experience, the WF-9800 Series converters are equipped with an advanced 3-stage charger. This unique power source solution is designed to provide clean power wherever and whenever it's needed.

Reliability. Vertically integrated, WFCO has total supply chain control, ensuring quality materials, parts and processes at each stage. Components are quality tested at critical manufacturing stages resulting in zero faults at the final 4-hour burn-in test, helping keep warranty claims below 1%. All models are UL® and cUL® listed and FCC Class B compliant.

PRODUCT FEATURES



Quiet operation is assured as the cooling fan runs only when required by the electric load.

#1

WFCO Electronics is the leader in manufacturing, distribution and servicing of power conversion products in the RV industry, preferred more than 4-to-1 by RV manufacturers.

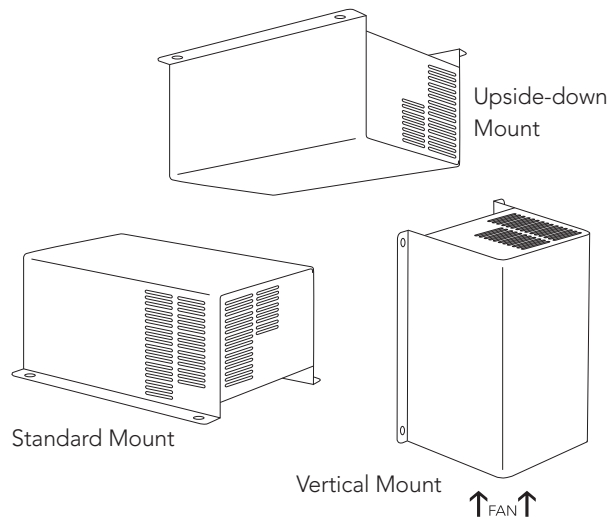


WF-9800 converters are available in more size and power choices than other brands. Manufacturers can more closely match the exact needs of every RV, saving space and cost.

WF-9800 Series

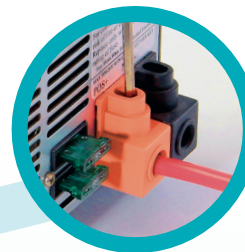
EASY INSTALLATION

All WFCO models are designed with the installer and assembly line in mind. We work with installers every day to find ways to streamline installation to reduce time and fiddle factor.



SMART ENGINEERING: THREE-STAGE CHARGING IS BETTER. WFCO's automatic three-stage converter handles every charging need for the RV while extending the battery's life. Well-maintained batteries should never need more than two-stage (Normal and Trickle) charging. Our third stage (Bulk) is provided for the rare times a battery needs extra-power for charging. See wfcoelectronics.com for details.

This versatile deck mount converter can be installed in any position, making RV design more flexible for manufacturers. Mount converter vertically with fan at the bottom to enhance cooling. Easy horizontal installation. WF-9800 Series converter can even be installed upside down.



Fully insulated DC connections are made for protection with an open-top design for ease of use for fast and nearly effortless installation.

SPECIFICATIONS	WF-9835	WF-9845	WF-9855	WF-9865	WF-9875
Power Input	600W	780W	950W	1260W	1300W
Input Voltage	105 VAC - 130 VAC / 60 Hz				
Output Current	35A	45A	55A	65A	75A
Converter Type	3 Stage Converter Charger				
Voltage Output	13.2 - 14.4 VDC				
Normal mode	13.6 VDC				
Trickle charge mode	13.2 VDC				
Bulk charge mode	14.4 VDC				
Outer Dimensions	4 5/8"W x 4"H x 7 1/2"D	4 3/4"W x 4"H x 8 3/4"D		5 1/8"W x 4"H x 10 1/4"D	
Weight	4 lbs.	5.25 lbs.	5.5 lbs.	6.25 lbs.	6.75 lbs.

Certifications: UL® and cUL® listed and FCC Class B compliant. Specifications are subject to change without notice or obligation.

ALL MODELS: Standard Safety Features/Protections: Over Current, Over Temperature, Over Voltage, Reverse Polarity
Installation: Case Material: Metal, Color: Gray



THE HEARTBEAT OF TODAY'S RVs
 2021 Aeroplex Drive North · Elkhart, IN 46514
 p 574.294.8997 · f 574.294.8698
wfcoelectronics.com

WFCO-60 © 2015 WFCO Electronics Printed in USA 10/15

The RV Industry's Electrical Authority

Our Power Pros provide expert technical support for everything the RV industry needs. Visit wfcoelectronics.com/support.



EXPERT PRODUCT SUPPORT